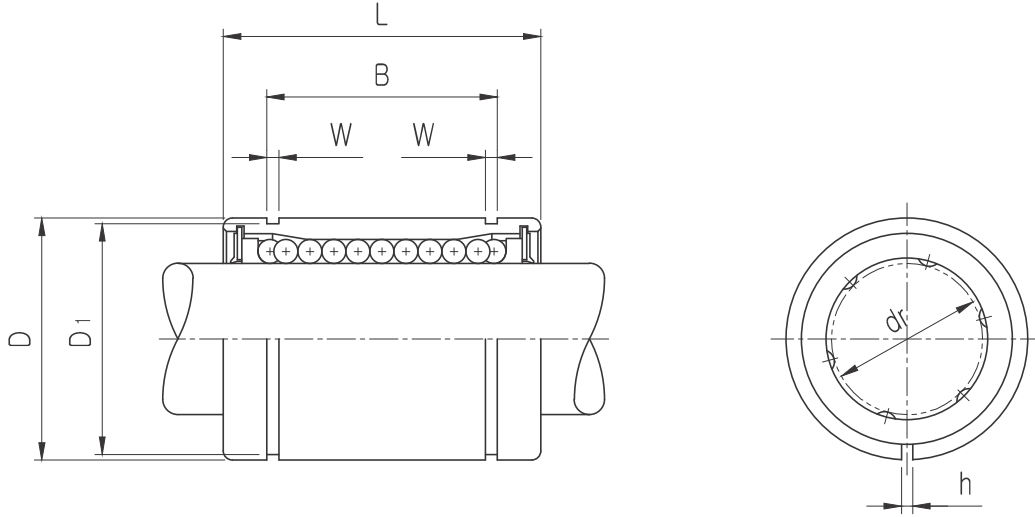


LM_AJ ADJUSTABLE LINEAR BUSHING

● Drawing



● Part Number Notation

LM 20 UU AJ - A N S



- SAMICK Linear Bushing
- Nominal Shaft Diameter
- Seal

| | |
|-------|----------------|
| Blank | No Seal |
| UU | Both Side Seal |
| U | One Side Seal |

- Linear Bushing Adjustable type
- Retainer (material)

| | |
|-------|-------------------------------------|
| Blank | Resin Retainer(Standard) |
| A | Steel Retainer(High temperature) *1 |

- Outer-sleeves (by corrosion resistance)

| | |
|-------|----------------------------|
| Blank | Standard(SUJ2) |
| N | Electroless nickel plating |
| R | Raydent treatment |

- Ball type (material)

| | |
|-------|--|
| Blank | High carbon bearing steel ball(Standard) |
| S | Stainless steel ball |

* ★1 Steel retainer applicable from LM6AJ to LM25AJ only



LM_AJ ADJUSTABLE LINEAR BUSHING

| PART NUMBER | | WORKING BORE DIAMETER | | D | | L | | B | | W | h | D ₁ | BASIC LOAD RATING(N) | | NO. OF BALL ROW | WEIGHT (gf) ^{*2} |
|-------------|-----------|-----------------------|----------------|-----|----------------|-----|----------------|-------|----------------|------|-----|----------------|---------------------------|-------------|-----------------|---------------------------|
| Resin | Steel | dr. (mm) | CLEAR NCE (mm) | mm | CLEAR NCE (mm) | mm | CLEAR NCE (mm) | mm | CLEAR NCE (mm) | | | | DYNAMIC (C) ^{*1} | STATIC (Co) | | |
| LM6UU AJ | LM6 AJ-A | 6 | | 12 | | 19 | | 13.5 | | 1.1 | 1 | 11.5 | 200 | 260 | 4 | 8 |
| LM8SUU AJ | | 8 | | 15 | 0 -0.011 | 17 | | 11.5 | | 1.1 | 1 | 14.3 | 170 | 220 | 4 | 11 |
| LM8UU AJ | LM8 AJ-A | 8 | | 15 | | 24 | | 17.5 | | 1.1 | 1 | 14.3 | 260 | 400 | 4 | 16 |
| LM10UU AJ | LM10 AJ-A | 10 | 0 -0.009 | 19 | | 29 | 0 -0.2 | 22.0 | 0 -0.2 | 1.3 | 1 | 18 | 370 | 540 | 4 | 30 |
| LM12UU AJ | LM12 AJ-A | 12 | | 21 | 0 -0.013 | 30 | | 23.0 | | 1.3 | 1.5 | 20 | 410 | 590 | 4 | 31.5 |
| LM13UU AJ | LM13 AJ-A | 13 | | 23 | | 32 | | 23.0 | | 1.3 | 1.5 | 22 | 500 | 770 | 4 | 43 |
| LM16UU AJ | LM16 AJ-A | 16 | | 28 | | 37 | | 26.5 | | 1.6 | 1.5 | 27 | 770 | 1170 | 5 | 69 |
| LM20UU AJ | LM20 AJ-A | 20 | | 32 | | 42 | | 30.5 | | 1.6 | 1.5 | 30.5 | 860 | 1370 | 5 | 87 |
| LM25UU AJ | LM25 AJ-A | 25 | 0 -0.010 | 40 | 0 -0.016 | 59 | | 41.0 | | 1.85 | 2 | 38 | 980 | 1560 | 6 | 220 |
| LM30UU AJ | | 30 | | 45 | | 64 | | 44.5 | | 1.85 | 2.5 | 43 | 1560 | 2740 | 6 | 250 |
| LM35UU AJ | | 35 | | 52 | | 70 | | 49.5 | | 2.1 | 2.5 | 49 | 1660 | 3130 | 6 | 390 |
| LM40UU AJ | | 40 | 0 -0.012 | 60 | 0 -0.019 | 80 | 0 -0.3 | 60.5 | 0 -0.3 | 2.1 | 3 | 57 | 2150 | 4010 | 6 | 585 |
| LM50UU AJ | | 50 | | 80 | | 100 | | 74.0 | | 2.6 | 3 | 76.5 | 3820 | 7930 | 6 | 1580 |
| LM60UU AJ | | 60 | 0 -0.015 | 90 | 0 -0.022 | 110 | | 85.0 | | 3.15 | 3 | 86.5 | 4700 | 9990 | 6 | 2000 |
| LM80UU AJ | | 80 | | 120 | | 140 | | 105.5 | | 4.15 | 3 | 116 | 10130 | 12000 | 6 | 4500 |

- ★1 Dynamic load rating is based on the nominal life of 50km
In case of 100km, C on the table need to be divided by 1.26
Ex) 50km basic dynamic load rating(C) of LM12AJ = 410N
100km basic dynamic load rating(C₁₀₀) of LM12AJ = 410/1.26 = 325.40N
- ★2 Based on the weight of resin retainer
- ★3 Main unit : mm
- ★4 Outer diameter is the obtained value before the slotting process.
- ★5 1N ≙ 0.102kgf

